

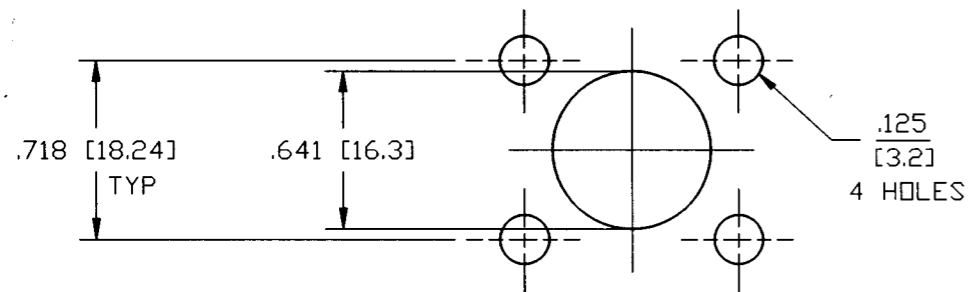
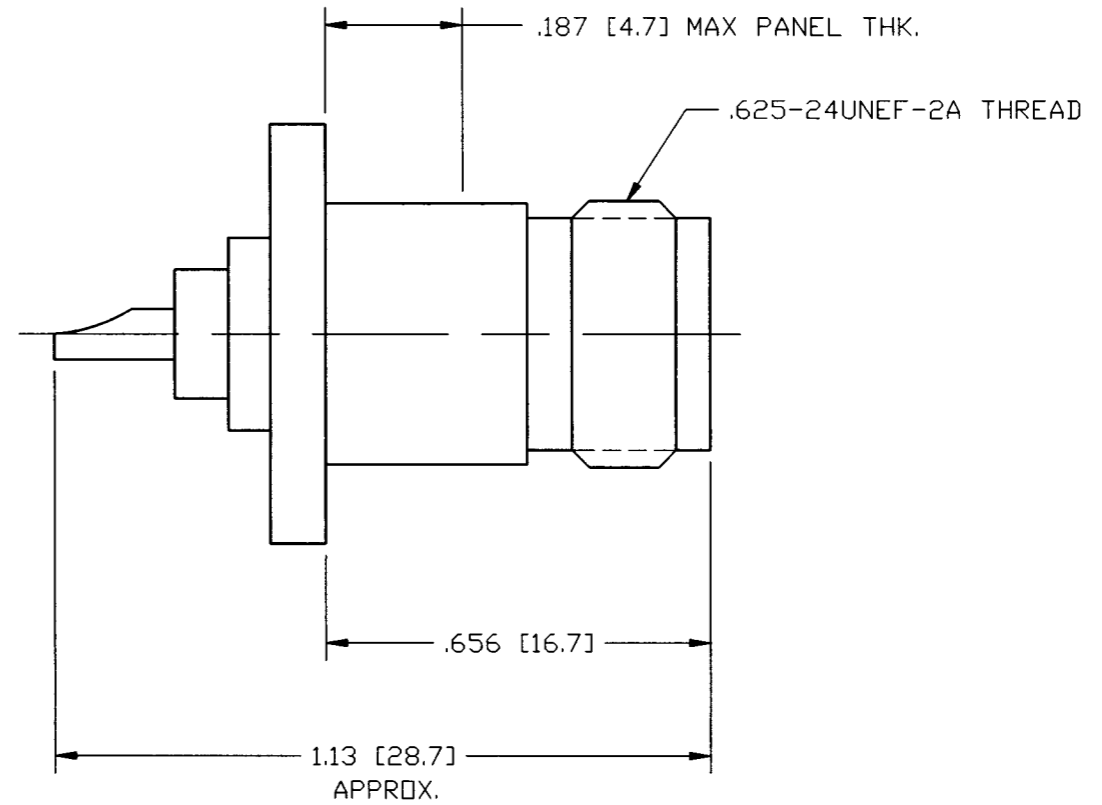
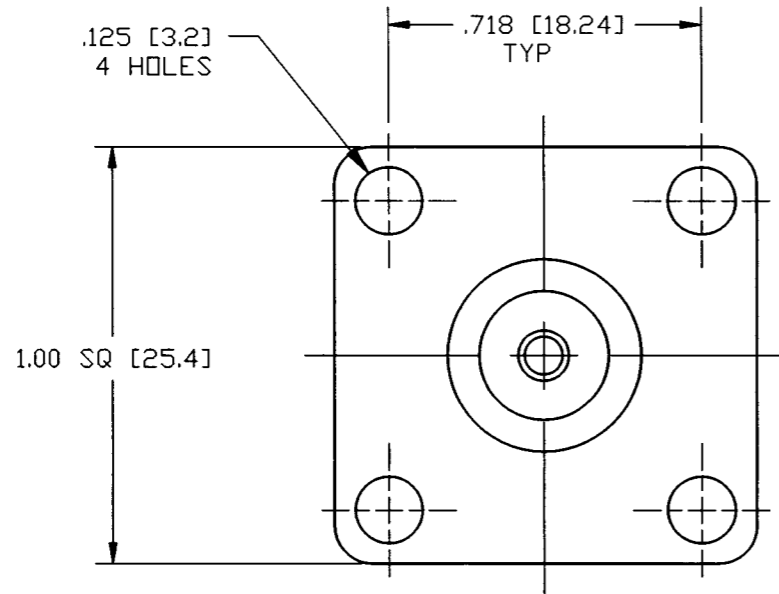
NOTES:

1. BRASS BODY, NICKEL PLATED.
2. TEFLON INSULATOR.
3. GOLD PLATED, PHOSPHOR BRONZE CONTACT, .000003.
4. PACKAGED IN BAG 999-381.
5. DO NOT SCALE THIS DRAWING.
6. REMOVE ALL BURRS, BREAK SHARP EDGES AND CORNERS .005 MAXIMUM, UNLESS OTHERWISE SPECIFIED.
7. UNLESS OTHERWISE SPECIFIED, ALL DIMENSIONS ARE AFTER PLATING.

82-97-RFX

REVISIONS

DRAWING NO.	REV	DESCRIPTION	DATE	ECO	APPR
THIRD ANGLE PROJ.	A	OFFICIAL ENG. RELEASE TO MFG.	10/2/91	38063	DR
	B	REDRAWN TO NEW FORMAT; ADD NOTES 5, 6, 7. 4 WAS BAG 999-382.	10/22/94	40220	CPM



MOUNTING HOLE DETAIL

ENGLISH [METRIC]

UNLESS OTHERWISE SPECIFIED, DIMENSIONS ARE IN INCHES AND TOLERANCES ARE:  
 2 PLACE DECIMAL      3 PLACE DECIMAL      ANGLES  
 ±.015 (0,381 mm)      ±.005 (0,127 mm)      ± 1'

MATERIAL

DRAWN

DATE

TITLE

T. ALBERA

4/29/91

N PANEL  
 RECEPTACLE  
 UG58A/U TYPE  
 50 OHM

**Amphenol**  
 Amphenol Corporation  
 RF/Microwave Operations  
 Danbury, Conn. U.S.A. 06810

NOTICE - These drawings, specifications, or other data (1) are, and remain the property of Amphenol Corp. (2) must be returned upon request; and (3) are confidential and not to be disclosed to any person other than those to whom they are given by Amphenol Corp. The furnishing of these drawings, specifications, or other data by Amphenol Corp., or to any other person to anyone for any purpose is not to be regarded by implication or otherwise in any manner licensing, granting rights or permitting such holder or any other person to manufacture, use or sell any product, process or design, patented or otherwise, that may in any way be related to or disclosed by said drawings, specifications, or other data.

REFERENCE

EAR 962370

ENGINEER

DATE

D. ROYCE

9/13/91

APPROVED

DATE

D. ROYCE

9/13/91

CAD FILE

H:\DEPT611\N\082\ASSY\97RFX

CODE ID  
 74868

DWG SIZE  
 B

DRAWING NO.

82-97-RFX

ISSUE

B

SCALE: 2:1      SHEET      OF